



## SCHNELL

BARWISER 18 + 20

BARWISER 22

COIL 16

COIL 18

COIL 20

EVO

PRIMA 12 + 16

EVG 2-16

EVG 2-20

KRB SHEAR

RMS SHEAR

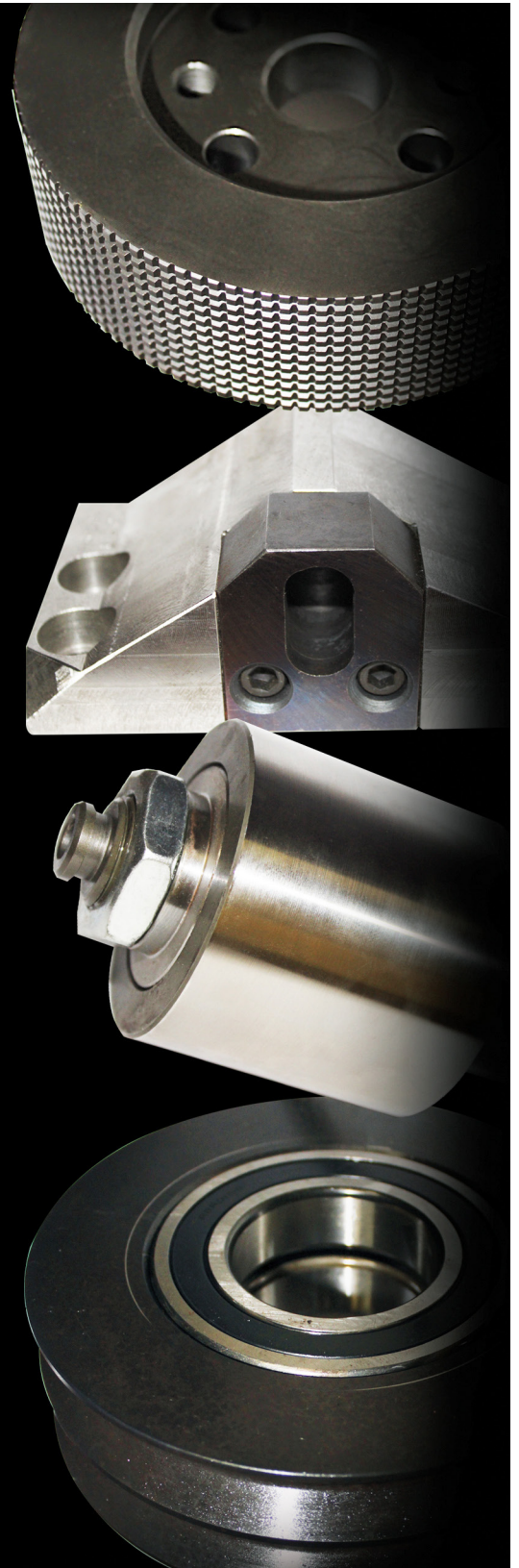
CANTON 22A

PEDAX

MEP

---

# 2022



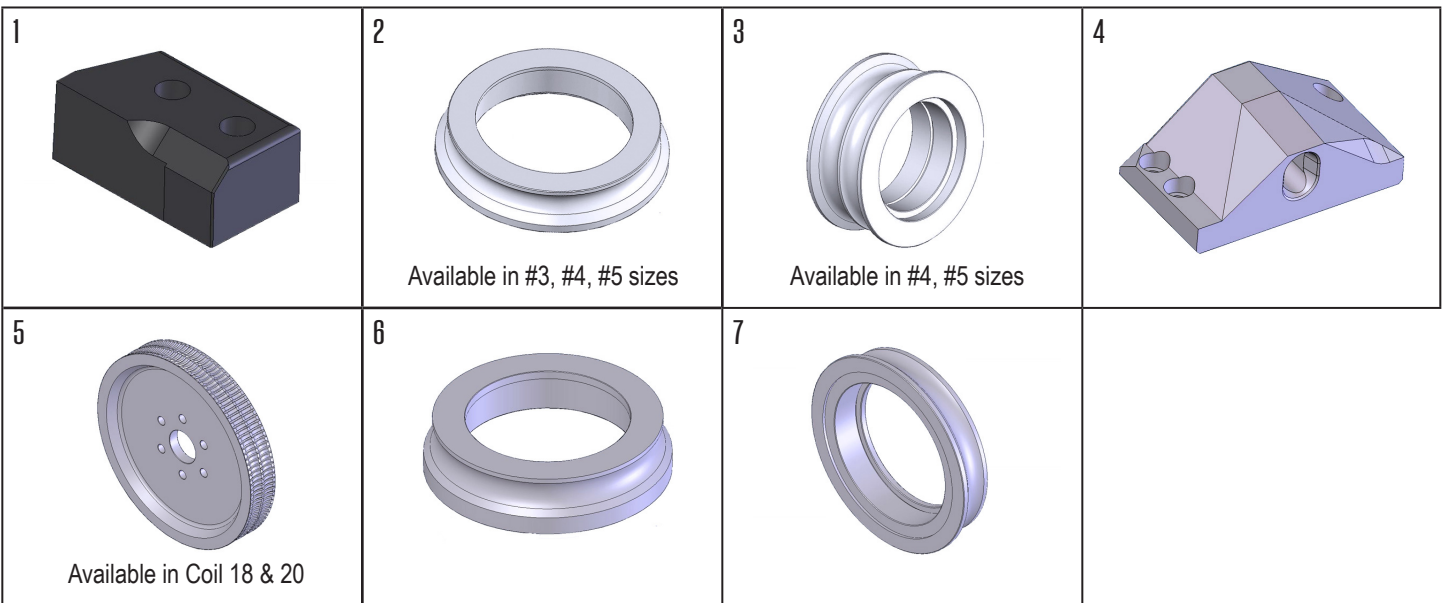
SALES  
LUKE TRAVIS  
706.897.1611 | CELL  
LUKE@CRIMACHINING.COM

706.745.9599 | PHONE  
706.745.9591 | FAX  
ISO 9001-2015 CERTIFIED  
CRIMACHINING.COM

## SCHNELL BAR WISER 18 & 20

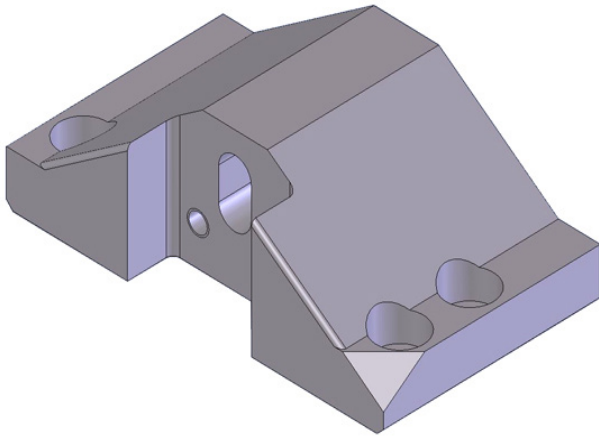
CRM PART NUMBER	OEM PART NUMBER	DESCRIPTION	PHOTO
CRM-80140	2073020291	Mobile Knife	1
CRM-80202	2078045091	#5 External Single Groove Roller	2
CRM-80203	2066544021	#4 External Single Groove Roller	2
CRM-80204	2066542051	#3 External Single Groove Roller	2
CRM-80205	2066544011	#4 External Double Groove Roller	3
CRM-80206	2066542021	#4 External Double Groove Roller	3
CRM-80207	2078045021	#5 External Double Groove Roller	3
CRM-80208	2073020102	#5 Double Strand Fixed Blade	4
CRM-80217	2078060101	Transport Wheel, Coil 20	5
CRM-80325	2070005031	Transport Wheel, Coil 18	5
CRM-80323	2570015110	Inside Split Roller	6
CRM-80324	2570015090	Outside Split Roller	7

Fixed Blades with Replaceable Inserts for all sizes. Replaceable Inserts for Fixed Blades



## FIXED BLADES/REPLACEMENT INSERTS (SCHNELL BAR WISER - 18, 20, 22)

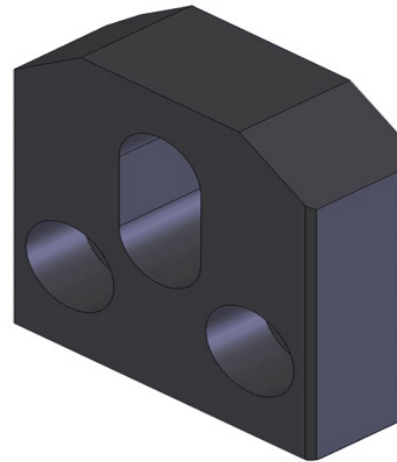
CRM PART NUMBER	OEM PART NUMBER	DESCRIPTION
CRM-80361	---	#3 Double Fixed Blade / Replacement Insert
CRM-80361-2	---	#3 Double Replacement Insert
CRM-80362	---	#4 Double Fixed Blade/Replacement Insert
CRM-80362-2	---	#4 Double Replacement Insert
CRM-80252	---	#5 Double Fixed Blade / Replacement Insert
CRM-80252-2	---	#5 Double Replacement Insert
CRM-80247	---	#6 Double Fixed Blade / Replacement Insert
CRM-80247-2	---	#6 Double Replacement Insert



**Double Fixed Blade /Replacement Insert**

Available in Sizes:

- #3,
- #4
- #5
- #6



**Double Replacement Insert**

Available in Sizes:

- #3,
- #4
- #5
- #6

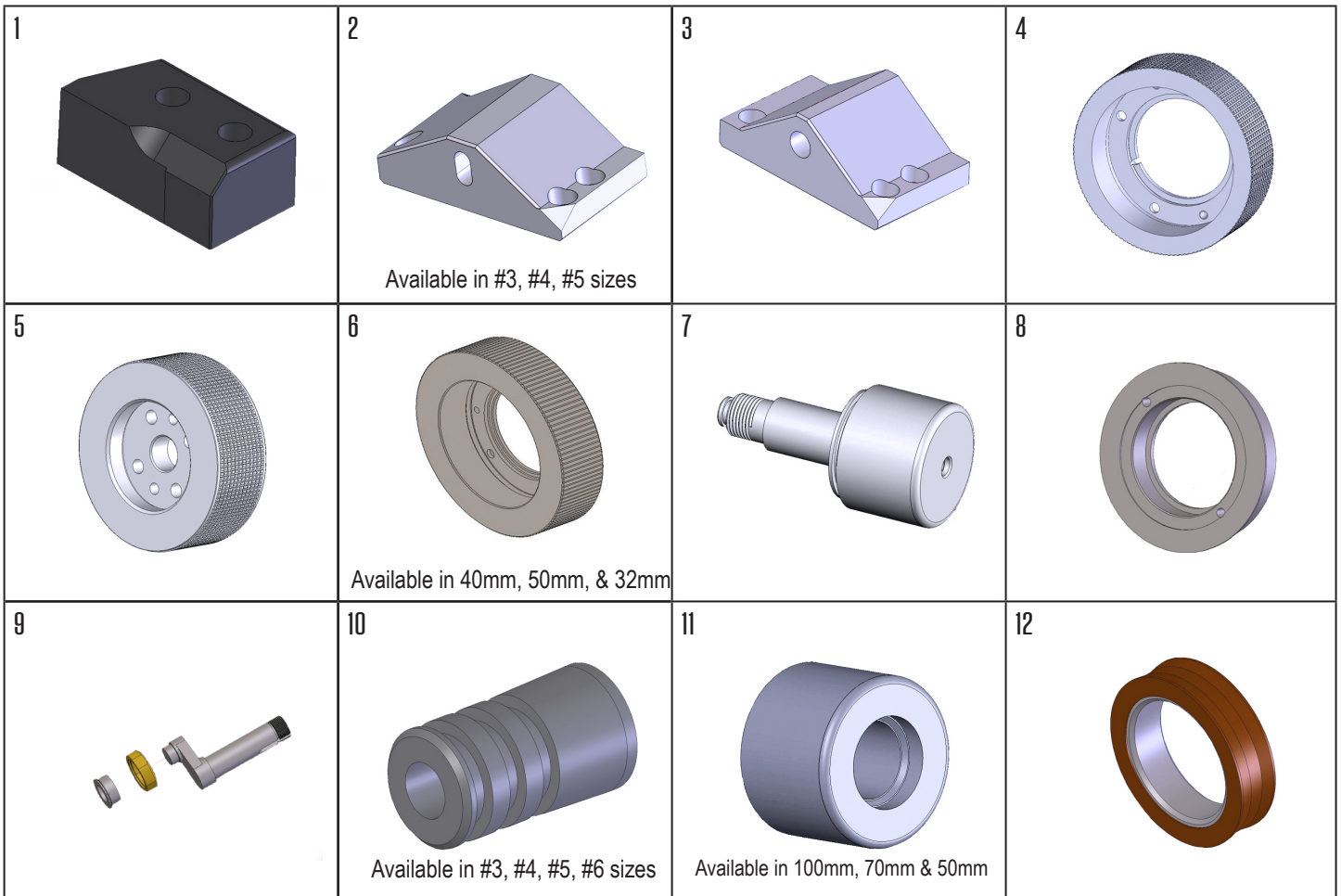
## SCHNELL BAR WISER 22

CRM PART NUMBER	OEM PART NUMBER	DESCRIPTION	PHOTO
CRM-80140	2073020290	Mobile Knife	1
CRM-80227	2073020132	Fixed Blade Double #3	2
CRM-80228	2073020112	Fixed Blade Double #4	2
CRM-80208	2073020102	Fixed Blade Double #5	2
CRM-80495	2073020161	Fixed Blade Single #6	3
CRM-80230	2073550030	Primary Knurled Wheel	4
CRM-80231	2073030490	Knurled Feed Wheel	5
CRM-80707	2073030212	Measuring Toothed Ring <i>*Verify before placing order</i>	6
CRM-80229	2073030212	Measuring Ring <i>*Verify before placing order</i>	25
CRM-80234-K	---	Bending Roller 32mm	7
CRM-80232-K	2474010010	Bending Roller 40mm	7
CRM-80233-K	2474010030	Bending Roller 50mm	7
CRM-80246-K	2474010040	Bending Roller 70mm	7
CRM-80822-K	---	Bending Roller 80mm	7
CRM-80821-K	---	Bending Roller 100mm	7
CRM-80798-K	2073015540	Split Wheel	8
CRM-80802	2078010182	Eccentric Gear Shaft	9
CRM-80273	2073020400	#6 Internal Plastic Bushing	8
CRM-80274	2073020380	#5 Internal Plastic Bushing	10
CRM-80275	2073020360	#4 Internal Plastic Bushing	10
CRM-80276	2073020340	#3 Internal Plastic Bushing	10
CRM-80277	2073010210	100mm Epoxy Mandrel	11
CRM-80278	2073010200	70mm Epoxy Mandrel	11
CRM-80279	2073010180	50mm Epoxy Mandrel	11
CRM-80280	2073075220	Rubber Ring for Wheel	12
CRM-80281	2073075220	Upper Wire Guide Coated	11
CRM-80282	2073075210	Lower Wire Guide Coated	13
CRM-80283	2073030A80	Rubber Traction Wheel	15
CRM-80284	2073030A90	Rubber Coated Measuring Wheel	16
CRM-80285	2073005660	Plastic Guide Tab	-
CRM-80286	2473020040	#6 Fixed Blade for Epoxy	17

## SCHELL BAR WISER 22 CONTINUED...

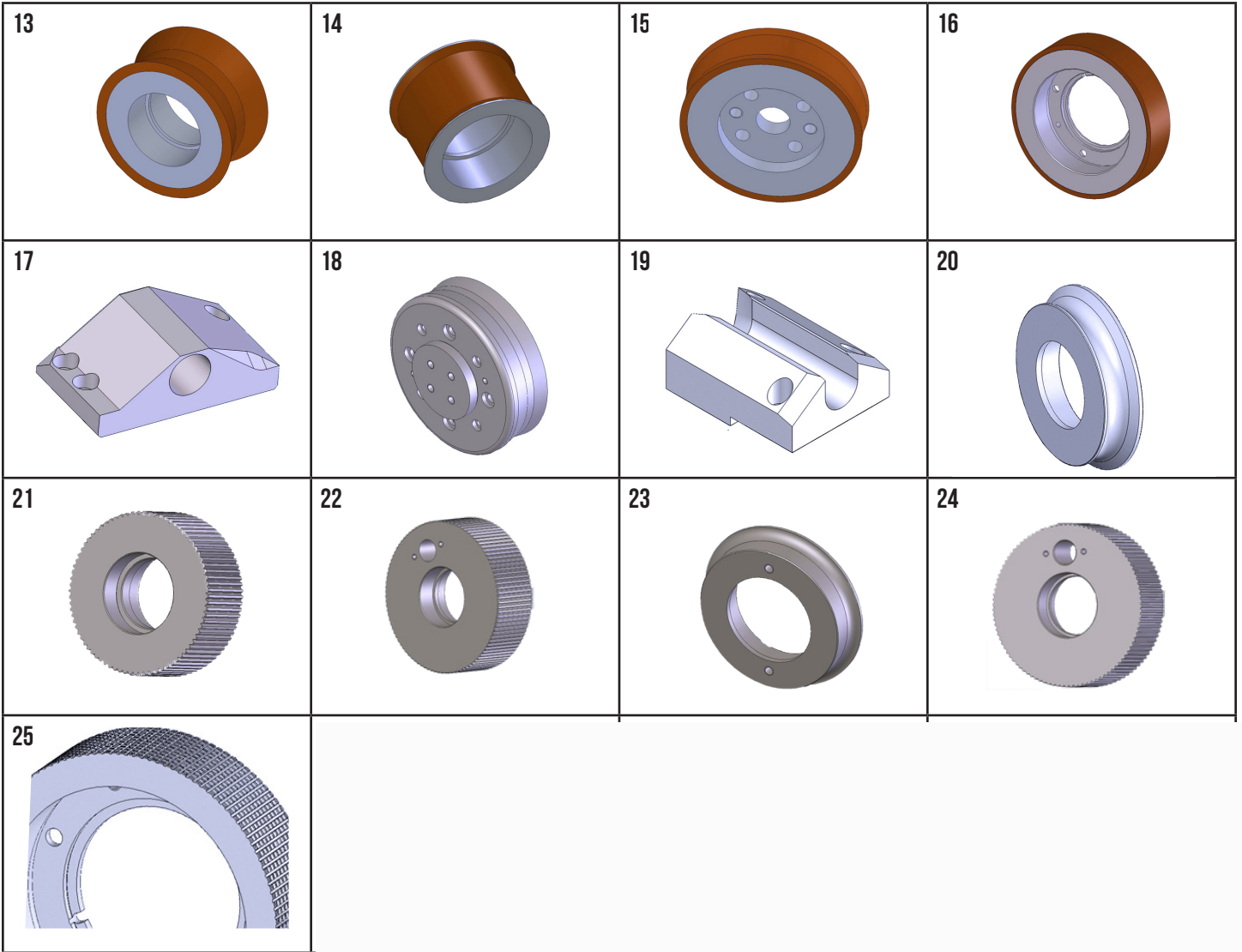
CRM PART NUMBER	OEM PART NUMBER	DESCRIPTION	PHOTO
CRM-80319	2073005670	Pressure Wheel 148 x 106	18
CRM-80385	2073020320	Plastic Wire Guide	19
CRM-80203	2066544021	#4 External Single Groove Roller	20
CRM-80719	2068230100	Upper Knurled Introduction Wheel	21
CRM-80720	2068230110	Lower Knurled Introduction Wheel	22
CRM-80811	2073015540	Internal Wheel	23
CRM-80799	2068230110	Lower Knurled Knife	24
CRM-80318	2073030511	Pressure Wheel 131 x 102 x 35	18

## SCHELL BAR WISER 22



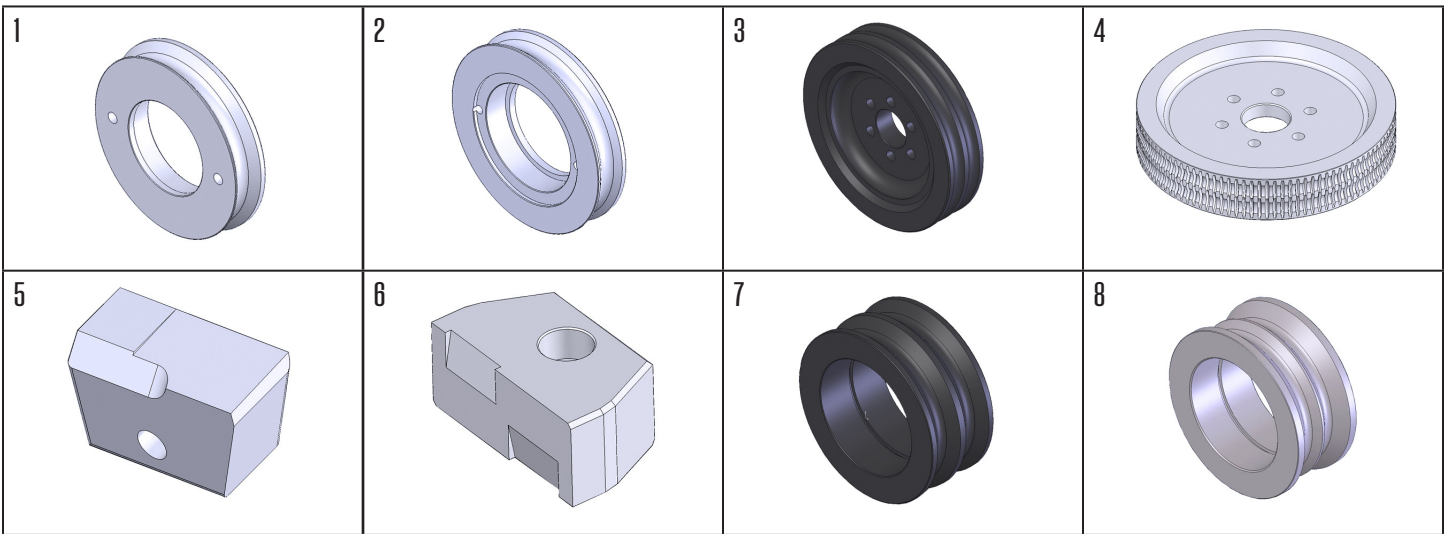


## SCHNELL BAR WISER 22 CONTINUED...



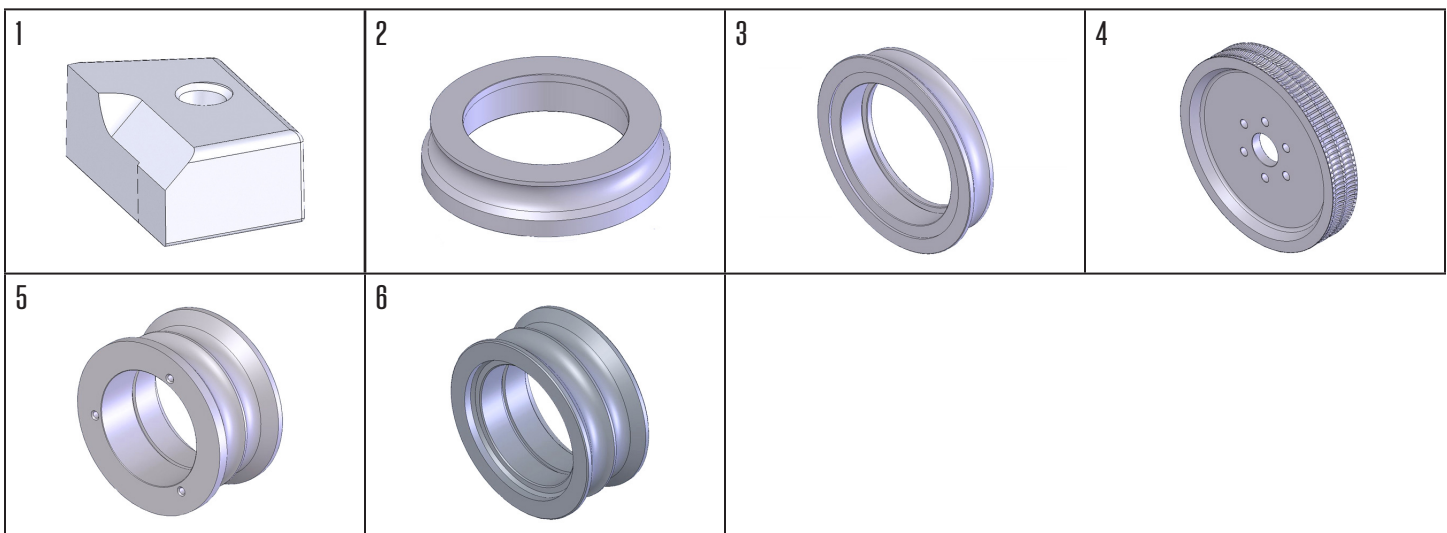
## SCHNELL COIL 16

CRM PART NUMBER	OEM PART NUMBER	DESCRIPTION	PHOTO
CRM-80213	2068215A60	Internal Split Roller, Coil 16	1
CRM-80201	2068230A30	External Split Roller, Coil 16	2
CRM-80396	2068005051	Pressure Wheel, Coil 16	3
CRM-80419	2068005032	Transport Feed Wheel, Coil 16	4
CRM-80215	2068220010	Mobile Blade, Coil 16	5
CRM-80216	2068220010	Reversible Fixed Blade, Coil 16	6
CRM-80397	206823A040	External Double Roller, Coil 16	7
CRM-80445	2068215A50	Internal Double Roller, Coil 16	8



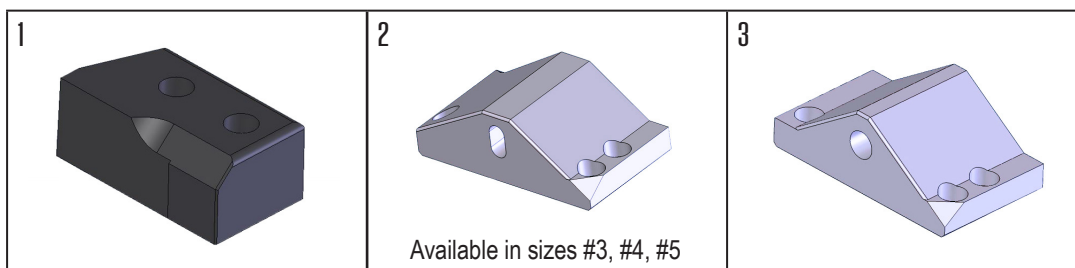
## SCHNELL COIL 18

CRM PART NUMBER	OEM PART NUMBER	DESCRIPTION	PHOTO
CRM-80508	2070021013	Mobile Blade, Coil 18	1
CRM-80323	2570015110	Internal Split Roller, Coil 18	2
CRM-80324	2570015090	External Split Roller, Coil 18	3
CRM-80325	2070005031	Transport Feed Wheel, Coil 18	4
CRM-80328	2070036050 & 2570035250	Internal Double Roller, Coil 18	5
CRM-80443	2070036060 & 2570015470	External Double Roller, Coil 18	6



## SCHNELL COIL 20

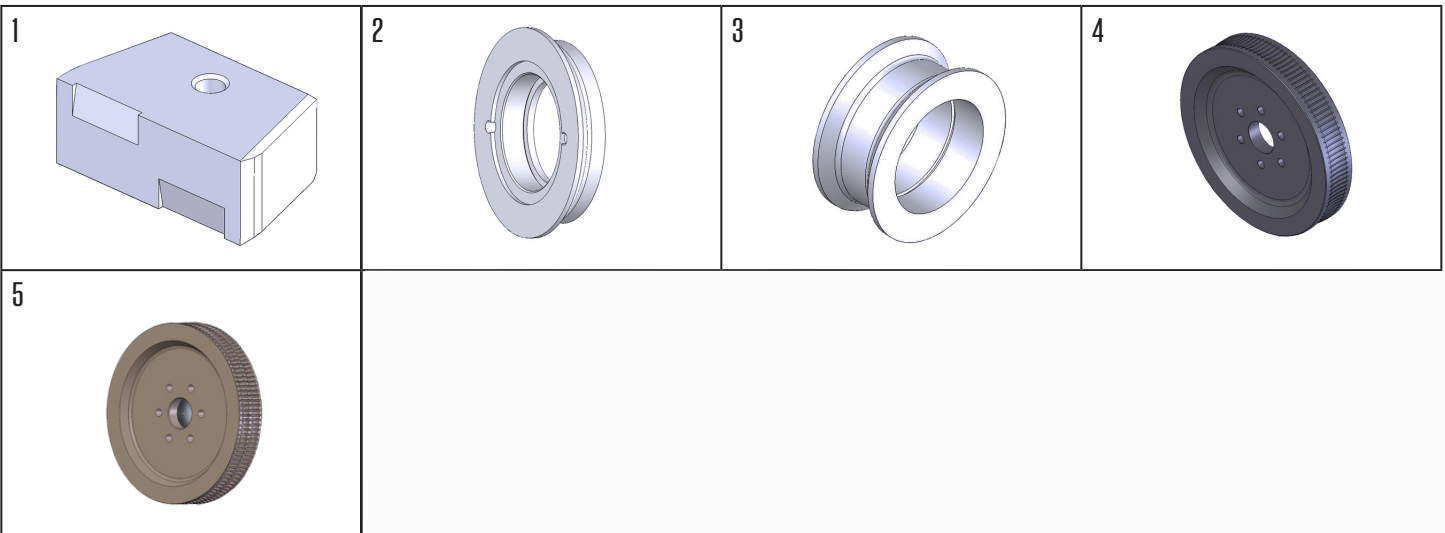
CRM PART NUMBER	OEM PART NUMBER	DESCRIPTION	PHOTO
CRM-80140	2073020291	Mobile Blade	1
CRM-80227	2073020132	Fixed Blade Double #3	2
CRM-80228	2073020112	Fixed Blade Double #4	2
CRM-80208	2073020102	Fixed Blade Double #5	2
CRM-80495	2073020161	Fixed Blade Single #6	3





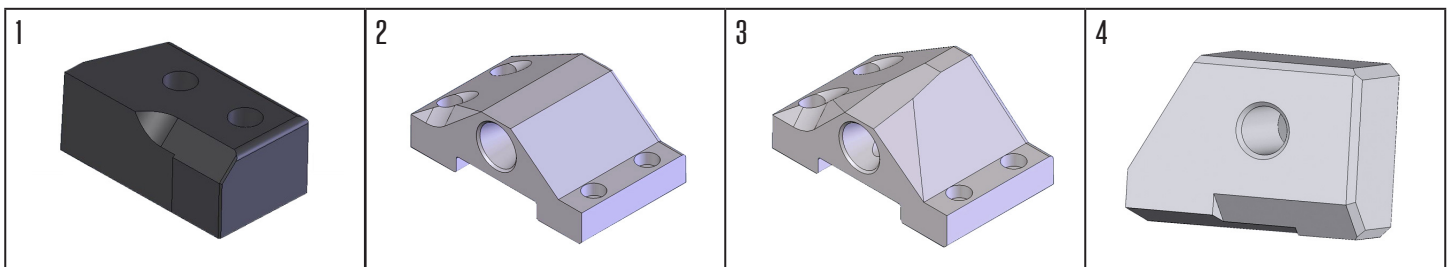
## SCHNELL EVO

CRM PART NUMBER	OEM PART NUMBER	DESCRIPTION	PHOTO
CRM-80344	2078520020	Reversible Fixed Blade	1
CRM-80345	2078515410	Split Roller	2
CRM-80346	2068215A90	Roller	3
CRM-80395	2078505010	Transport Wheel Single Groove	4
CRM-80217	2078060101	Transport Wheel Double Groove	5



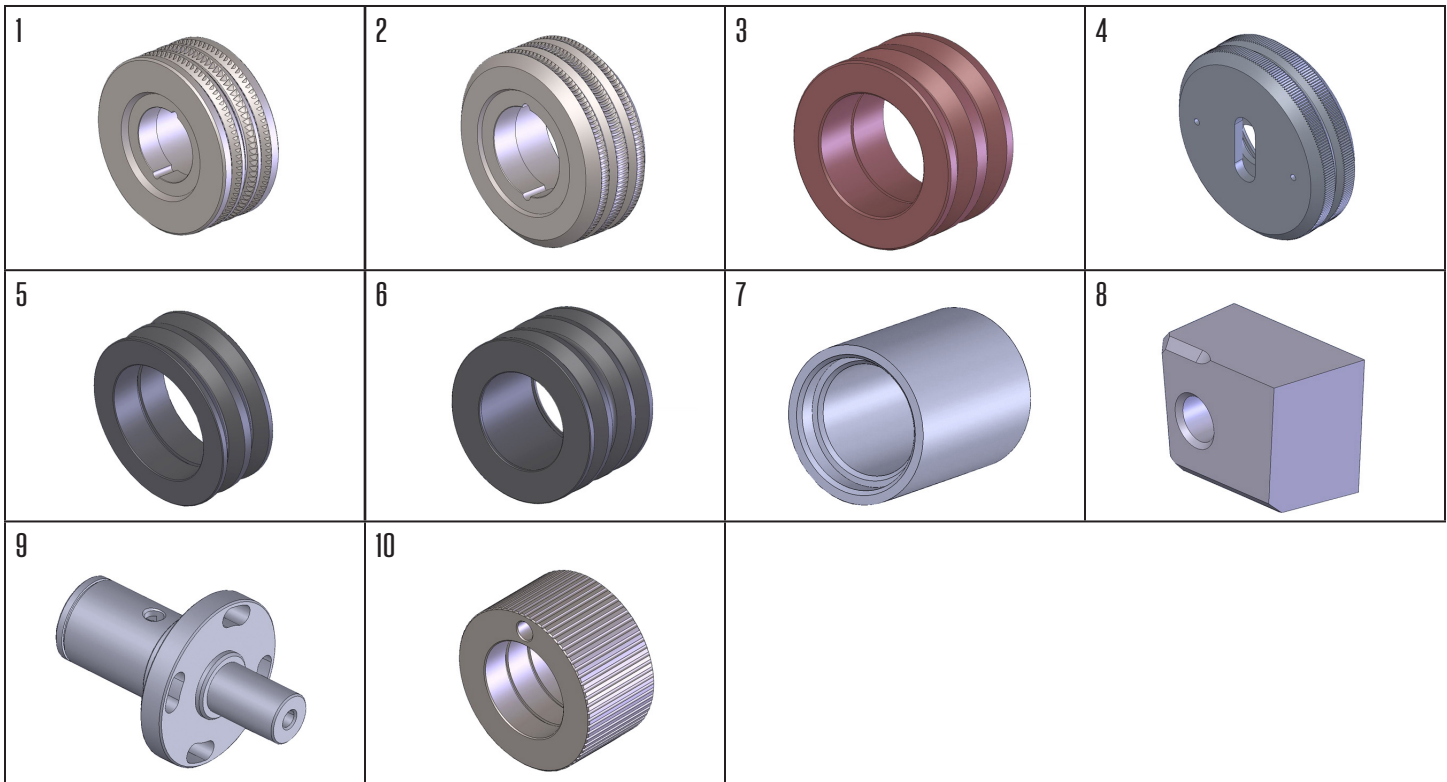
## SCHNELL PRIMA 12 & 16

CRM PART NUMBER	OEM PART NUMBER	DESCRIPTION	PHOTO
CRM-80140	2066020860	Mobile Blade, Prima 16	1
CRM-80388	---	Fixed Blade Single, Prima 16	2
CRM-80389	---	Fixed Blade Double, Prima 16	3
CRM-80461	---	Blade, Prima 12	4



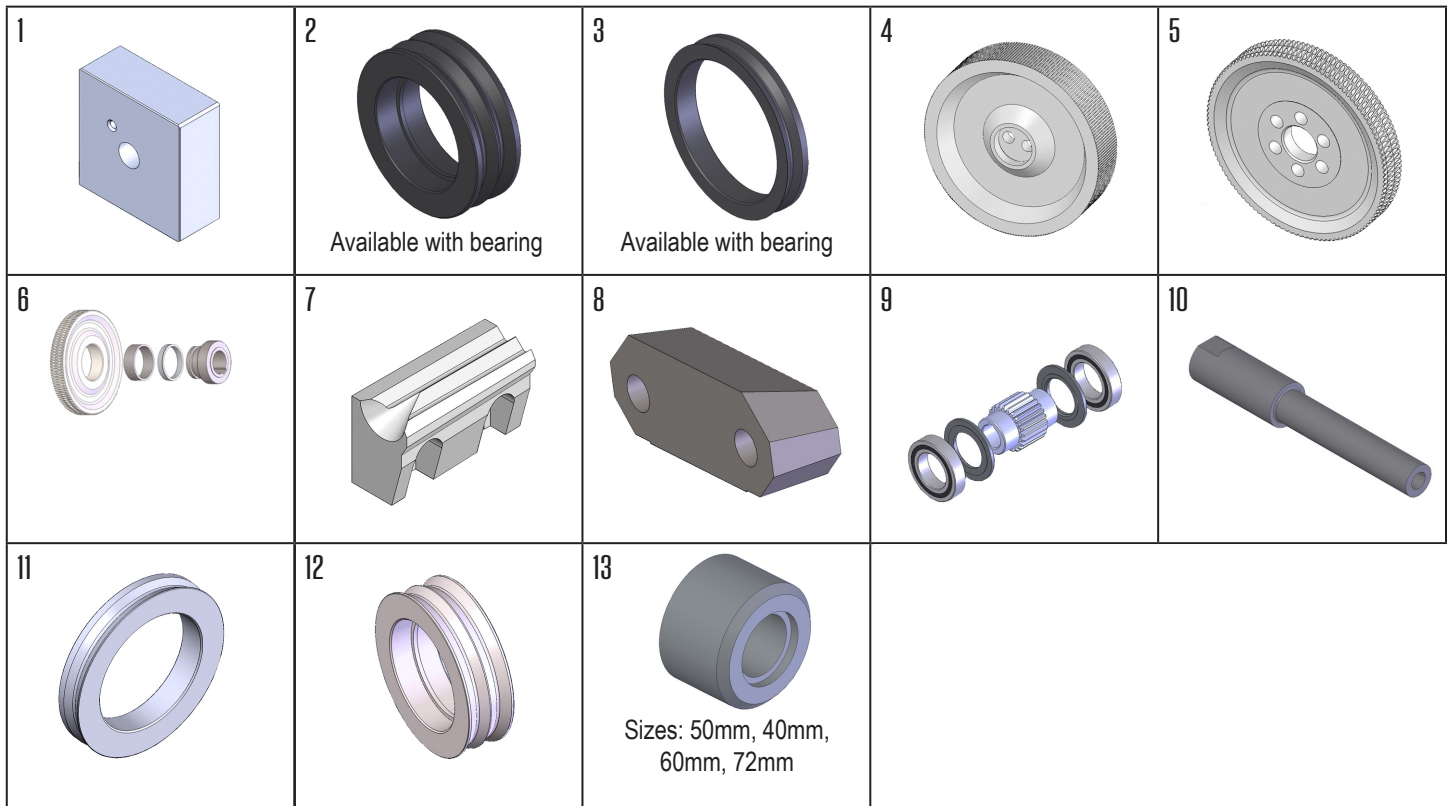
## MEP MINI SYNTAX

CRM PART NUMBER	OEM PART NUMBER	DESCRIPTION	PHOTO
CRM-80287	4C0467	Transport, Upper Roll	1
CRM-80288	4C0461	Transport, Lower Roll	2
CRM-80289	4C1753	Guide Wheel	3
CRM-80315	4C0449	Serrated Roller	4
CRM-80316	4C0303	Double Groove Roller	5
CRM-80317	4C0994	Triple Groove Roller	6
CRM-80365	4C0711	Bending Ring 40mm	7
CRM-80366	4C0273	Shear Blade	8
CRM-80371	5C0122	Feed Axel	9
CRM-80372	4C0290	Feed Drive Roller	10



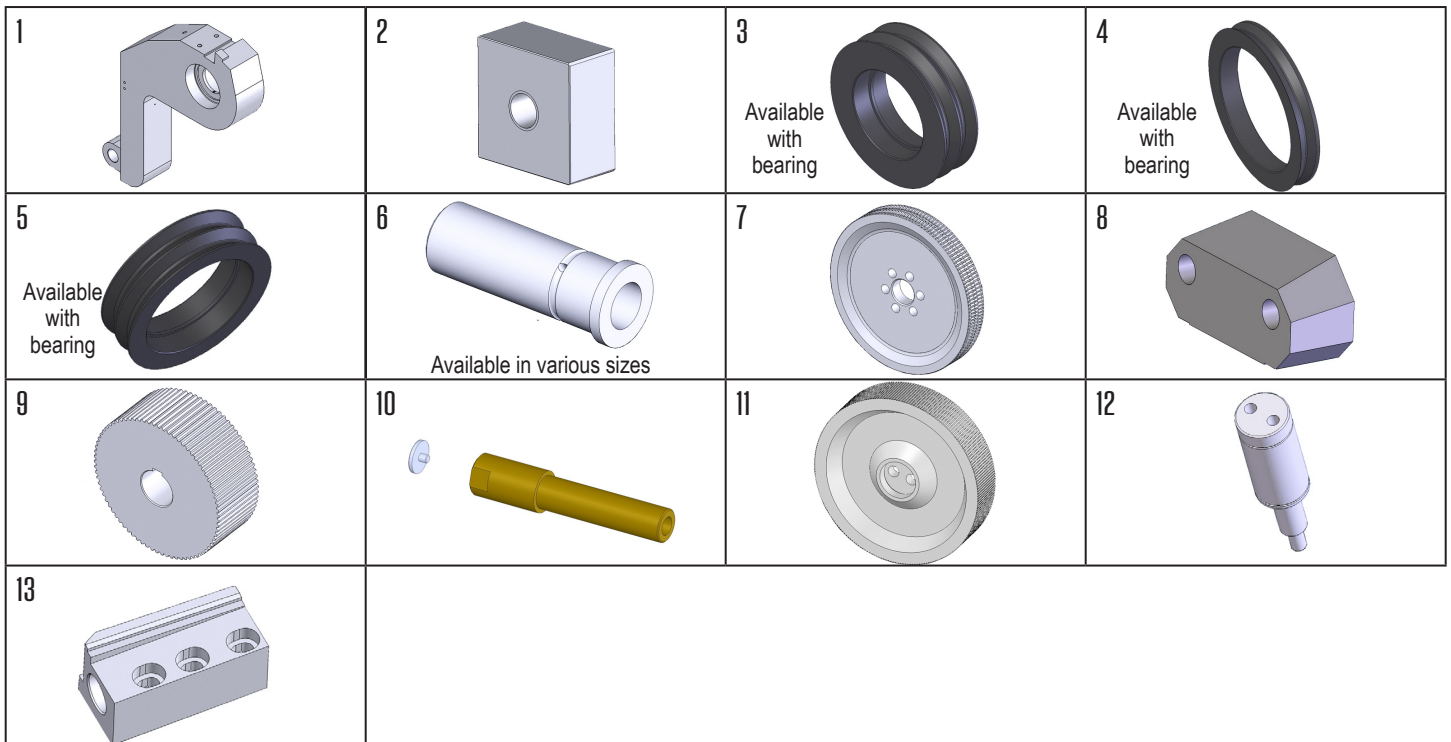
## EVG 2-16

CRI PART NUMBER	OEM PART NUMBER	DESCRIPTION	MODEL	PHOTO
CRM-80081	2057859	Knife 50 x 50 x20	PBC	1
CRM-80134	2610868	116 x 36 mm Straightening Roll	PBC	2
CRM-80134-K	2610868	116 x 36 mm Straightening Roll w/Bearing	PBC	2
CRM-80135	2610892	123 x 18 mm Lateral Adjusting Roll	PBC	3
CRM-80135-K	2610892	123 x 18 mm Lateral Adjusting Roll w/Bearing	PBC	3
CRM-80136	8378401	Measuring Wheel 159-26mm	PBC	4
CRM-80209	8056692	Transport Wheel EVG 2-16	PBC	5
CRM-80537	0163031	Transport Wheel	PBN	6
CRM-80235	8262314	Wire Guide	PBC	7
CRM-80236	2788276	Clamping Wedge	PBC	8
CRM-80257-K	1349708	Pinion with Bearings	PBC	9
CRM-80258	2788292	Supporting Bolt 10 mm x 35 mm Bolt	PBC	10
CRM-80392	1384570	Single Straightening Roll 116 x 18	PBC & PBE	11
CRM-80393	1320157	Double Straightening Roll 116 x 36	PBC & PBE	12
CRM-80310-K	2788306	50mm Bending Mandrel with Pin	PBC & PBN	13
CRM-80390-K	2788292	40mm Bending Mandrel with Pin	PBC & PBN	13
CRM-80391-K	---	60mm Bending Mandrel with Pin	PBC & PBN	13
CRM-80394-K	2790912	72mm Bending Mandrel with Pin	PBC & PBN	13



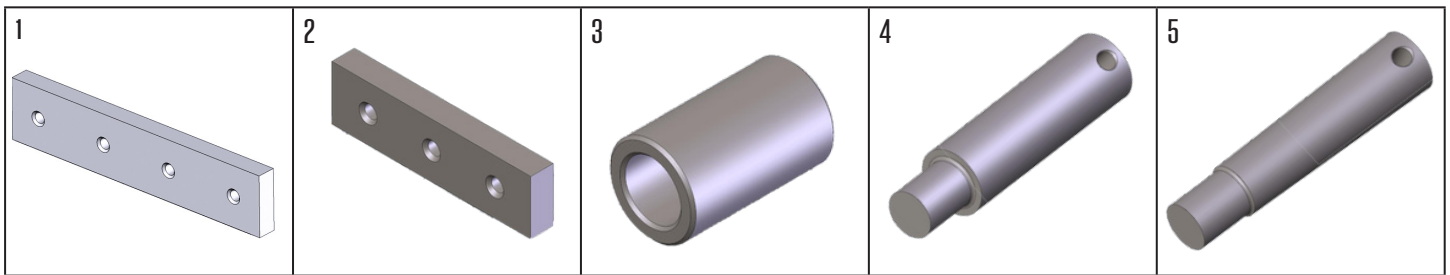
## EVG 2-20

CRI PART NUMBER	OEM PART NUMBER	DESCRIPTION	
CRM-80075	8692688	Fixed Shear Arm	1
CRM-80080	8694893	Knife 50 x 50 x 25	2
CRM-80113	3435989	148 x 43 mm, Double Straightening Roll	3
CRM-80113-K	3435989	148 x 43 mm, Double Straightening Roll w/ Bearing	3
CRM-80114	3435997	170 x 22 mm, Single Straightening Roll	4
CRM-80114-K	3435997	170 x 22 mm, Single Straightening Roll w / Bearing	4
CRM-80115	3431010	148 x 43 mm, Lateral Adjustment Roll	5
CRM-80115-K	3431010	148 x 43 mm, Lateral Adjustment Roll w/ Bearing	5
CRM-80129-K	3678938	Bending Roller 40mm / with Shaft	6
CRM-80130-K	3436993	Bending Roller 50mm / with Shaft	6
CRM-80131-K	3437000	Bending Roller 72mm / with Shaft	6
CRM-80184-K	3436977	Bending Roller 96mm / with Shaft	6
CRM-80185-K	3436985	Bending Roller 60mm / with Shaft	6
CRM-80210	8692076	Transport Wheel EVG 2-20	7
CRM-80237	3436950	Clamping Wedge	8
CRM-80256	8695504	Advance Roll	9
CRM-80259	3430936	Supporting Bolt 12mm x 45mm Bolt	10
CRM-80136	8697833	Measuring Wheel	11
CRM-80370	8697825	Pin, Measuring Wheel	12
CRM-80505	8694826	Lower Wire Guide	13



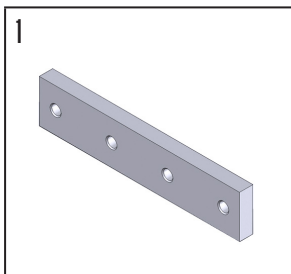
## KRB SHEAR LINE

CRI PART NUMBER	OEM PART NUMBER	DESCRIPTION	PHOTO
CRM-80085	D-16725-2503	H-4002 Shear Blade 19' x 4" x 1.250"	1
CRM-80322	D-16725-2503	H-4000 Shear Blade 18.750" x 4" x 1.250"	1
CRM- 80744	D-16825-2503	H-2000 Mini Shear Blade	2
CRM-80745	---	Roller Pin	3
CRM-80746	---	Straight Pin	4
CRM-80747	---	Tapered Pin	5



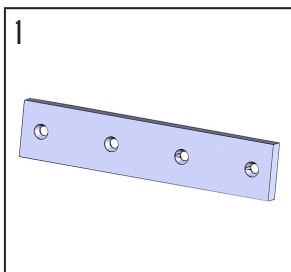
## RMS SHEAR LINE

CRI PART NUMBER	DESCRIPTION	PHOTO
CRM-80380	RMS Shear Blade 18.75" x 4" x 1.250" 1-8 Threaded Holes	1



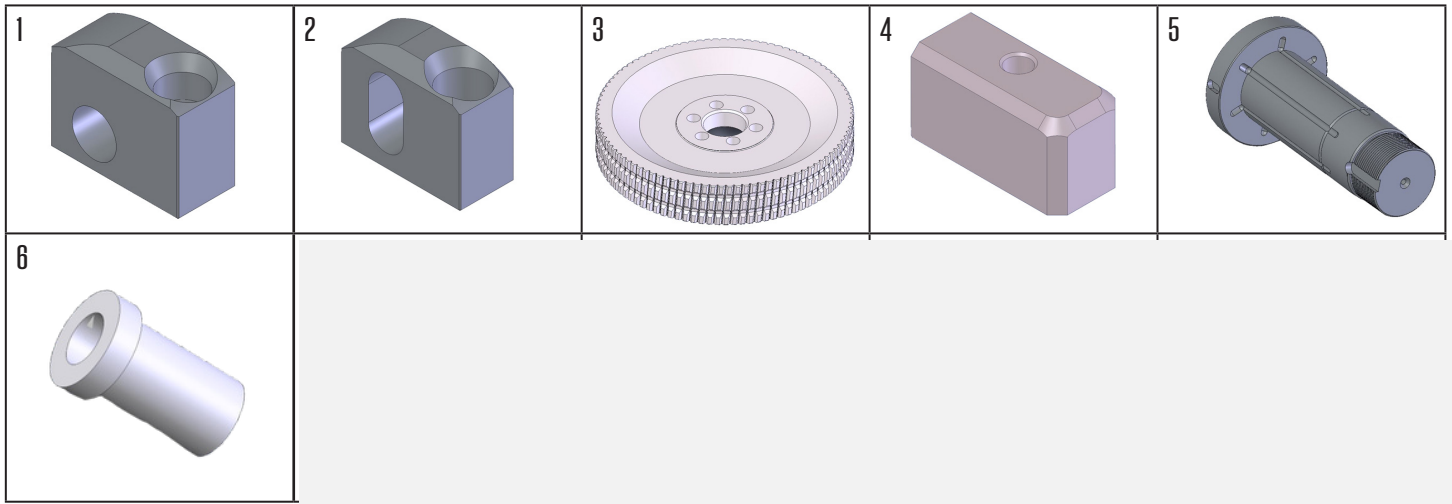
## 22A CANTON / HILL ACME

CRI PART NUMBER	OEM PART NUMBER	DESCRIPTION	PHOTO
CRM-80196	C2451KA	24.00" X 5.00" X 1.25"	1



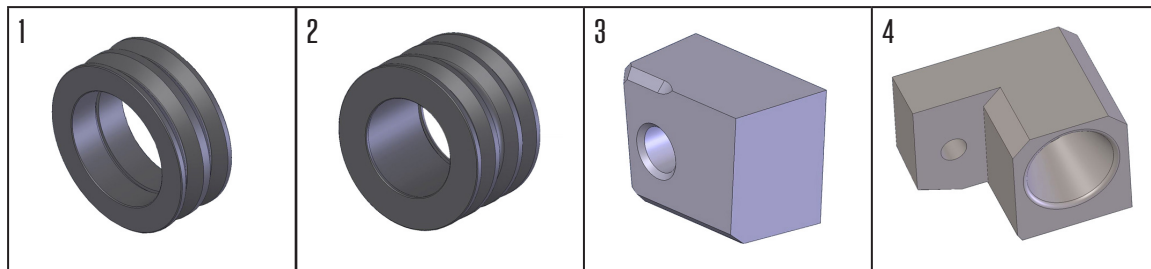
## PEDAX

CRM PART NUMBER	OEM PART NUMBER	DESCRIPTION	PHOTO
CRM-80428	25130304	Blade #5 Single	1
CRM-80429	25130404 25150204 64-25092	Blade #4 Double	2
CRM-80430	D3-22784E	Feeding Wheel	3
CRM-80459	6120104	Blade	4
CRM-80460	63-22869	Shaft Cutter	5
CRM-80823	64-25093	Sleeve	6



## MEP CONCEPT 91

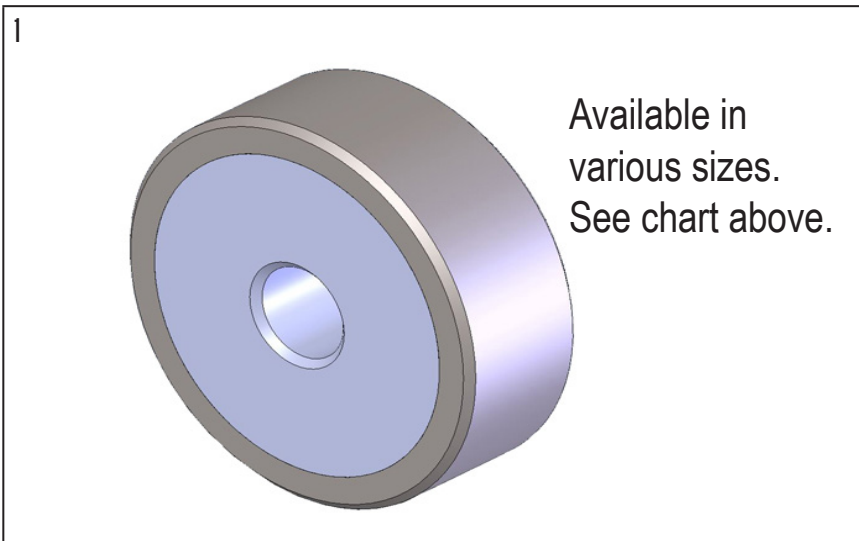
CRI PART NUMBER	OEM PART NUMBER	DESCRIPTION	PHOTO
CRM-80316	4C0303	Double Groove Roller	1
CRM-80317	4C0994	Triple Groove Roller	2
CRM-80366	4C0273	Shear Blade	3
CRM-80476	---	Double #4 Fixed Blade	No Photo
CRM-80477	---	Single #5 Fixed Blade	4





## TABLE TOP BENDING COLLARS

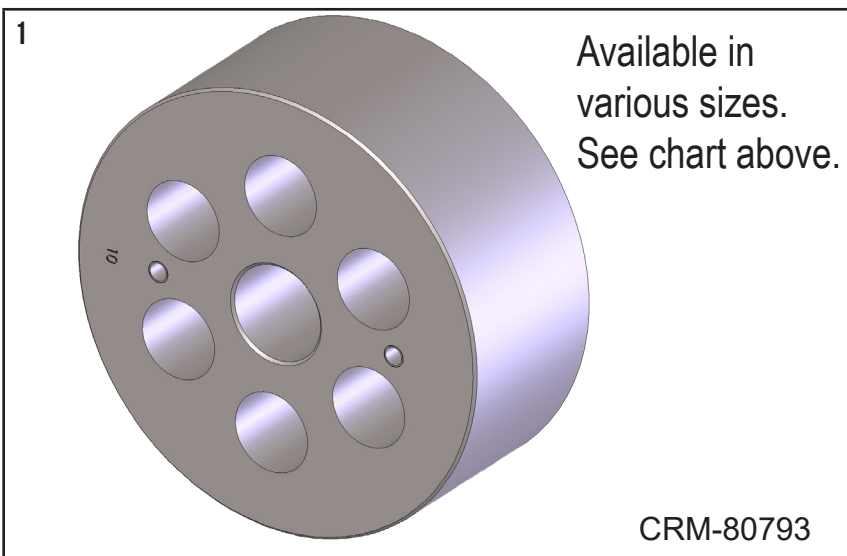
CRM PART NUMBER	DESCRIPTION	PHOTO
TBD	3" OD x 2" ID x 6 "	1
CRM-80554	5" OD x 2" ID x 6"	1
CRM-80249	5.5" OD x 2" ID x 6"	1
CRM-80159	6" OD x 2" ID x 6"	1
CRM-80507	7" OD x 2" ID x 3"	1
CRM-80160	8" OD x 2" ID x 3"	1
CRM-80221	8.5" OD x 2" ID x 3"	1
CRM-80161	9" OD x 2" ID x 3"	1
CRM-80198	9.5" OD x 2" ID x 3"	1
CRM-80250	9.75" OD x 2" ID x 3"	1
CRM-80162	10" OD x 2" ID x 3"	1
CRM-80222	11" OD x 2" ID x 3"	1
CRM-80199	11" OD x 2" ID x 3"	1
CRM-80464	17" OD x 2" ID x 3"	1



**Nylatron Bending Collar/Steel Sleeve**

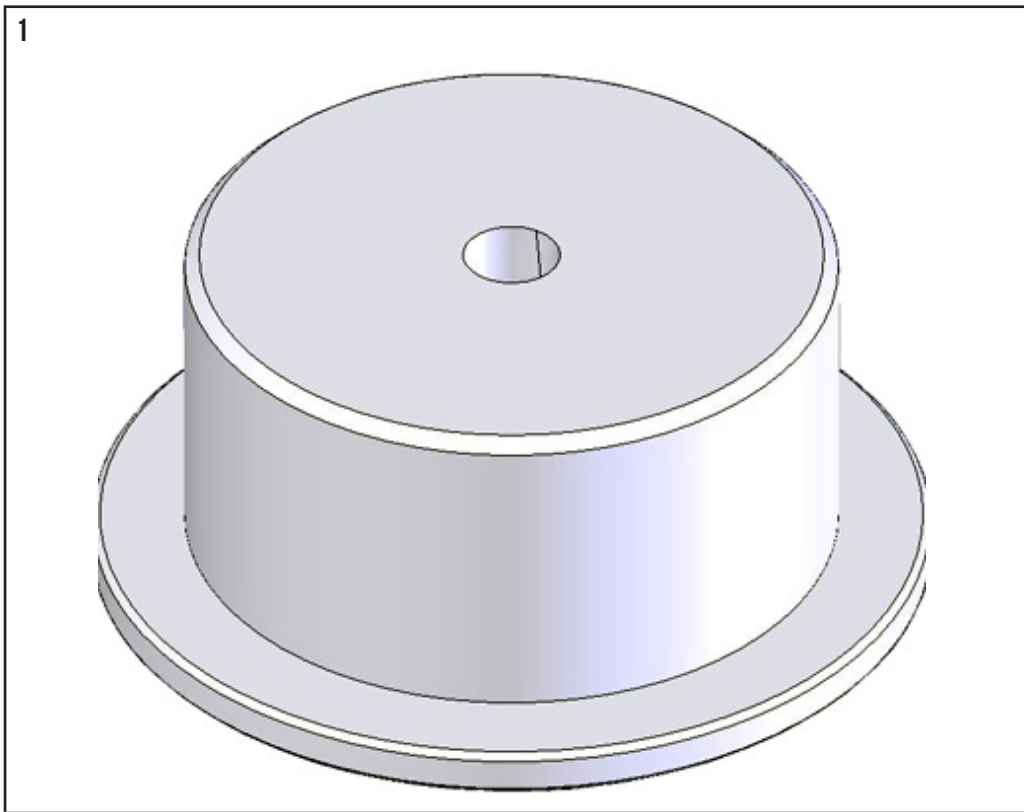
## BENDING PINS

CRM PART NUMBER	DESCRIPTION	PHOTO
TBD	3" OD x 2.165" ID x 6"	1
TBD	5" OD x 2.165" ID x 6"	1
TBD	5.5" OD x 2.165" ID x 6"	1
TBD	6" OD x 2.165" ID x 6"	1
TBD	7" OD x 2.165" ID x 3"	1
TBD	8" OD x 2.165" ID x 3"	1
TBD	8.5" OD x 2.165" ID x 3"	1
TBD	9" OD x 2.165" ID x 3"	1
TBD	9.5" OD x 2.165" ID x 3"	1
TBD	9.75" OD x 2.165" ID x 3"	1
TBD	10" OD x 2.165" ID x 3"	1
TBD	11" OD x 2.165" ID x 3"	1
TBD	11" OD x 2.165" ID x 3"	1
TBD	17" OD x 2.165" ID x 3"	1



## TABLE PLUGS

CRM PART NUMBER	DESCRIPTION	PHOTO
CRM-80163-S	Table Plugs, Steel	1
CRM-80163-N	Table Plugs, Nylatron	1
CRM-80163-NT	Table Plugs, Nylatron Tapered	1

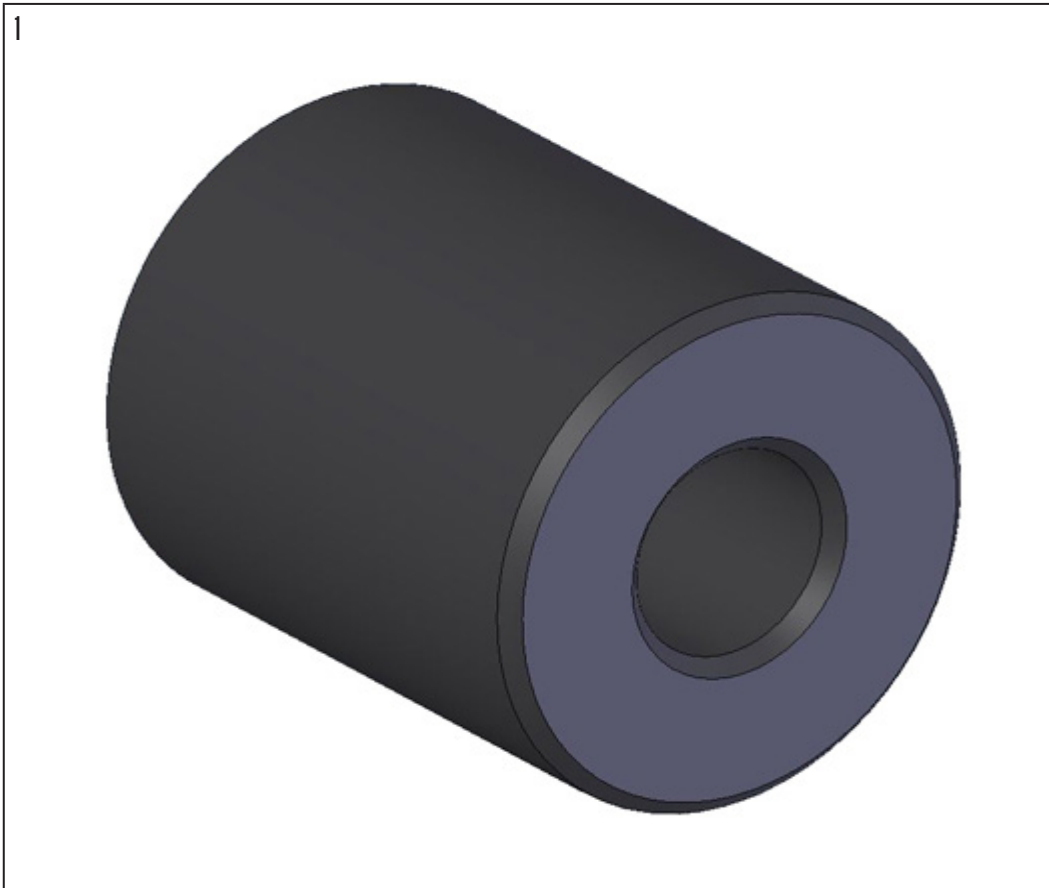


Available in:  
 Steel, Nylatron,  
 Nylatron Tapered

# Table Plugs

## BENDING COLLARS FOR EPOXY COATED REBAR

CRI PART NUMBER	DESCRIPTION	PHOTO
CRM-80485	3"OD x 2" ID x 6" Height, Nylatron Bending Collar	1
CRM-80239	5"OD x 2" ID x 6" Height, Nylatron Bending Collar	1
CRM-80240	5 1/2" OD x 2"ID x 6" Height, Nylatron Bending Collar	1
CRM-80241	6"OD x 2" ID x 6" Height, Nylatron Bending Collar	1
CRM-80242	8"OD x 2" ID x 3" Height, Nylatron Bending Collar	1
CRM-80243	8 1/2" OD x 2" ID x 3" Height, Nylatron Bending Collar	1
CRM-80244	9" OD x 2" ID x 3" Height, Nylatron Bending Collar	1
CRM-80087	9.5" OD x 2" ID x 3" Height, Nylatron Bending Collar	1
CRM-80088	10" OD x 2" ID x 3" Height, Nylatron Bending Collar	1
CRM-80410	13" OD X 2" ID X 3" Height, Nylatron Bending Collar	1





128 Industrial Boulevard  
Blairsville, GA 30512  
www.crimachining.com

Cell: 706.897.1611  
Office: 706.745.9599  
luke@crimachining.com



# 2021